

Grundfos MIXIT:

Increase your building's energy efficiency with an all-in-one mixing loop solution

Challenge

Are you also wasting energy in your building?

25%

of all energy can be wasted by incorrectly commissioning a building's HVAC system¹

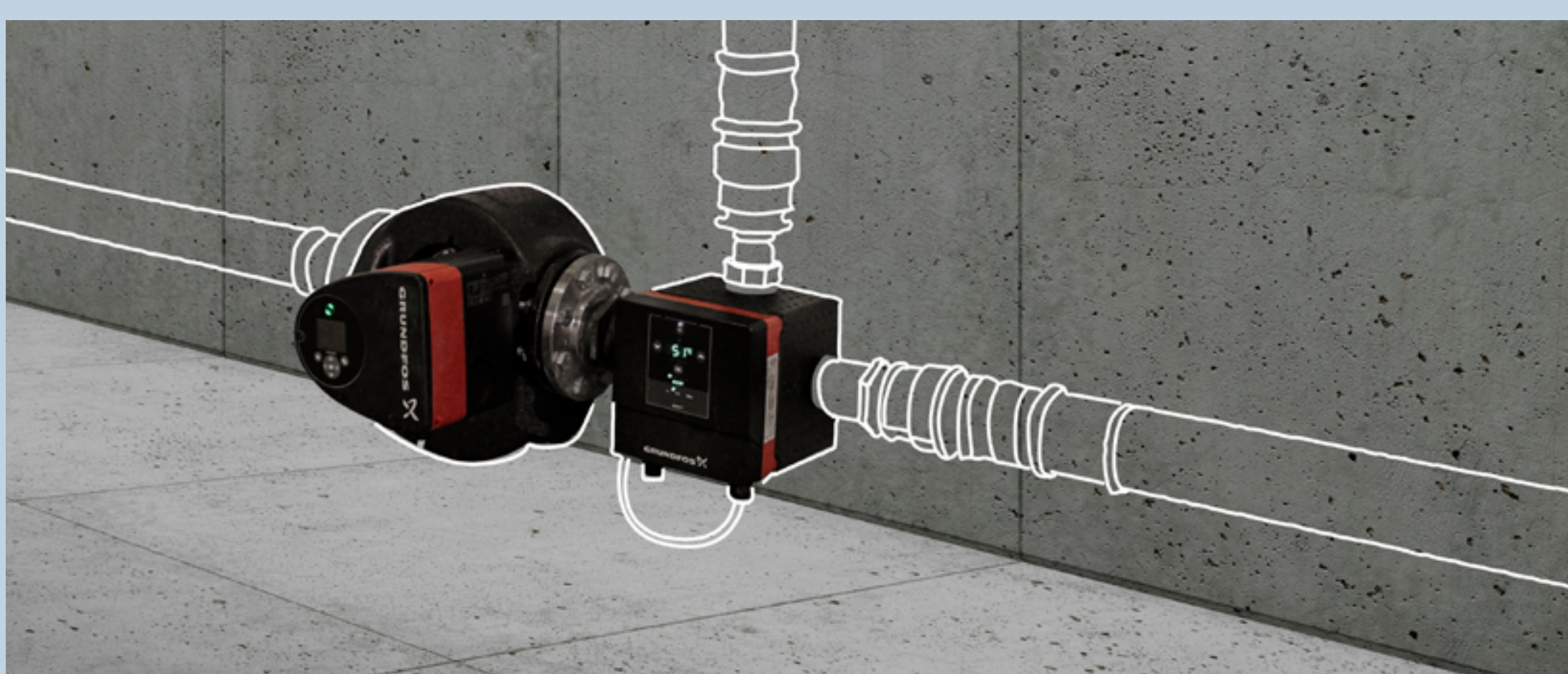
15%

more energy can be saved by monitoring your HVAC system²

33%

of all buildings are commissioned incorrectly³

That means there's potential for significant energy savings



Solution

Monitor and optimise your energy use at all times

The MIXIT solution improves commissioning and gives you complete control over your operations while monitoring gives you full transparency of your HVAC system's energy use.

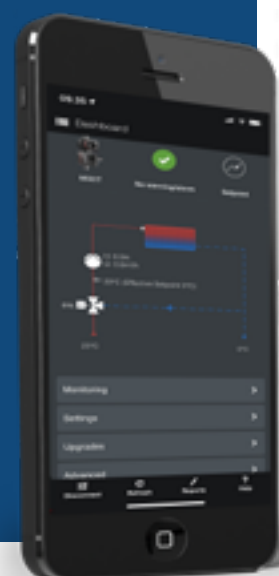


Did you know?

... high-efficiency pumps are part of the combined solution that offers optimal overall energy performance.

Did you know?

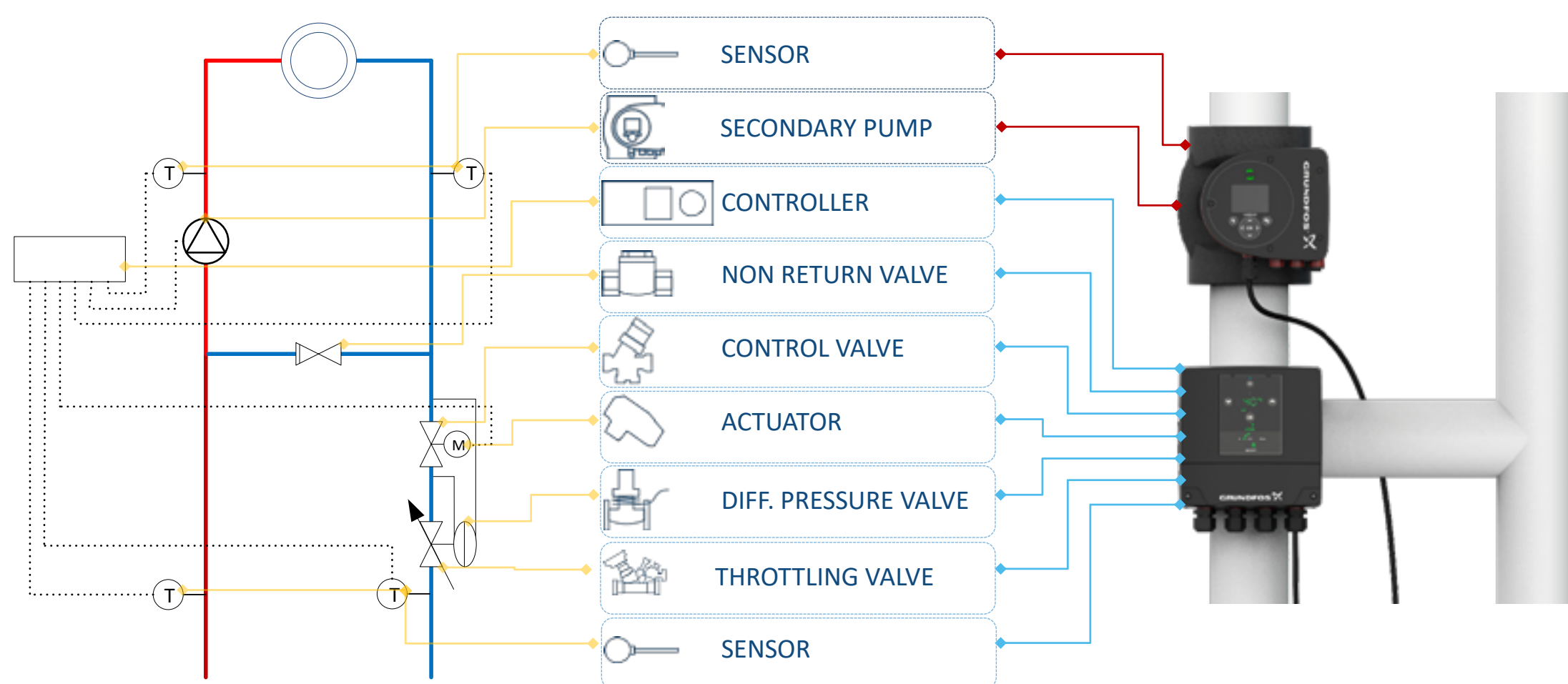
... you can commission MIXIT with the Grundfos GO Remote app.



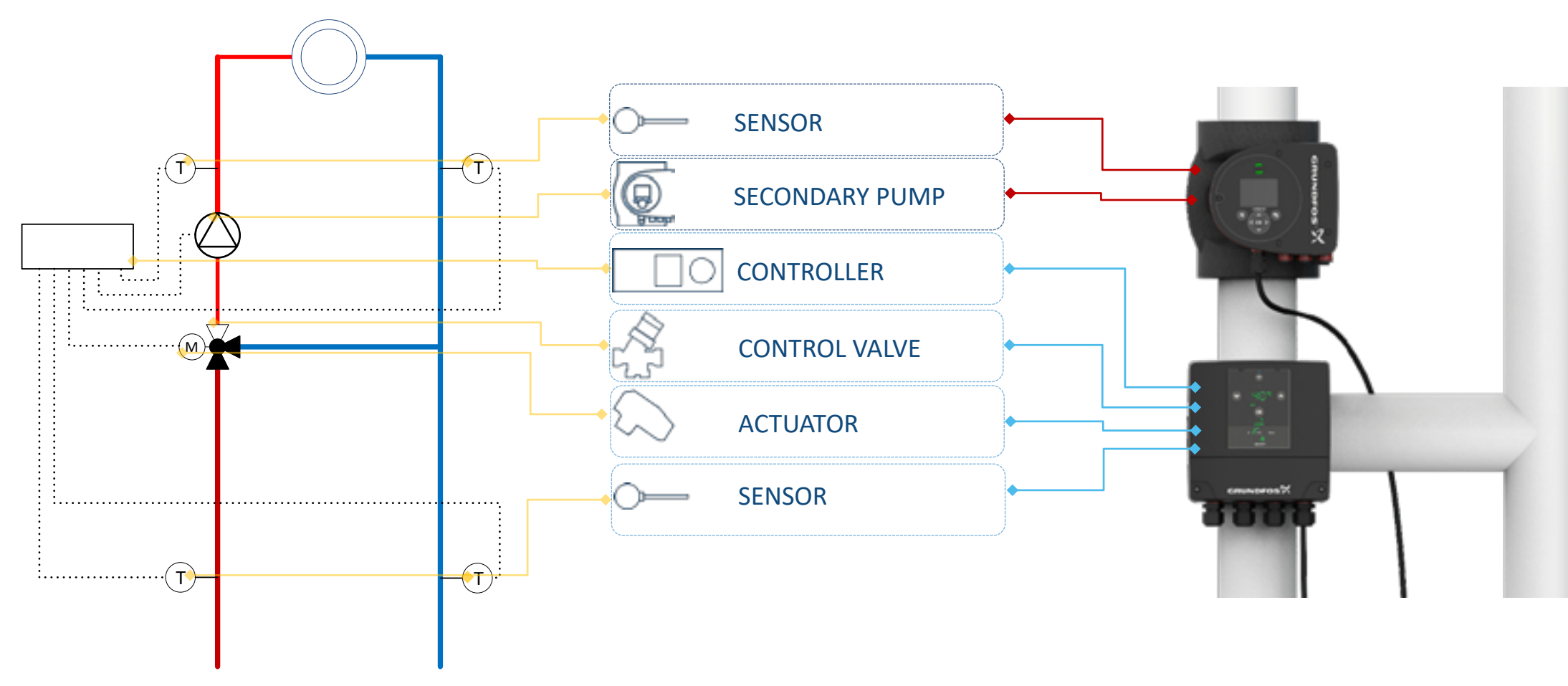
Commissioning and balancing Get simpler commissioning

Grundfos MIXIT combines the traditional 8-12 components into an all-in-one solution for faster, easier and more efficient commissioning. All components automatically adjust and balance to the system's demands, saving you up to 25% energy.

Two-way mixing loop

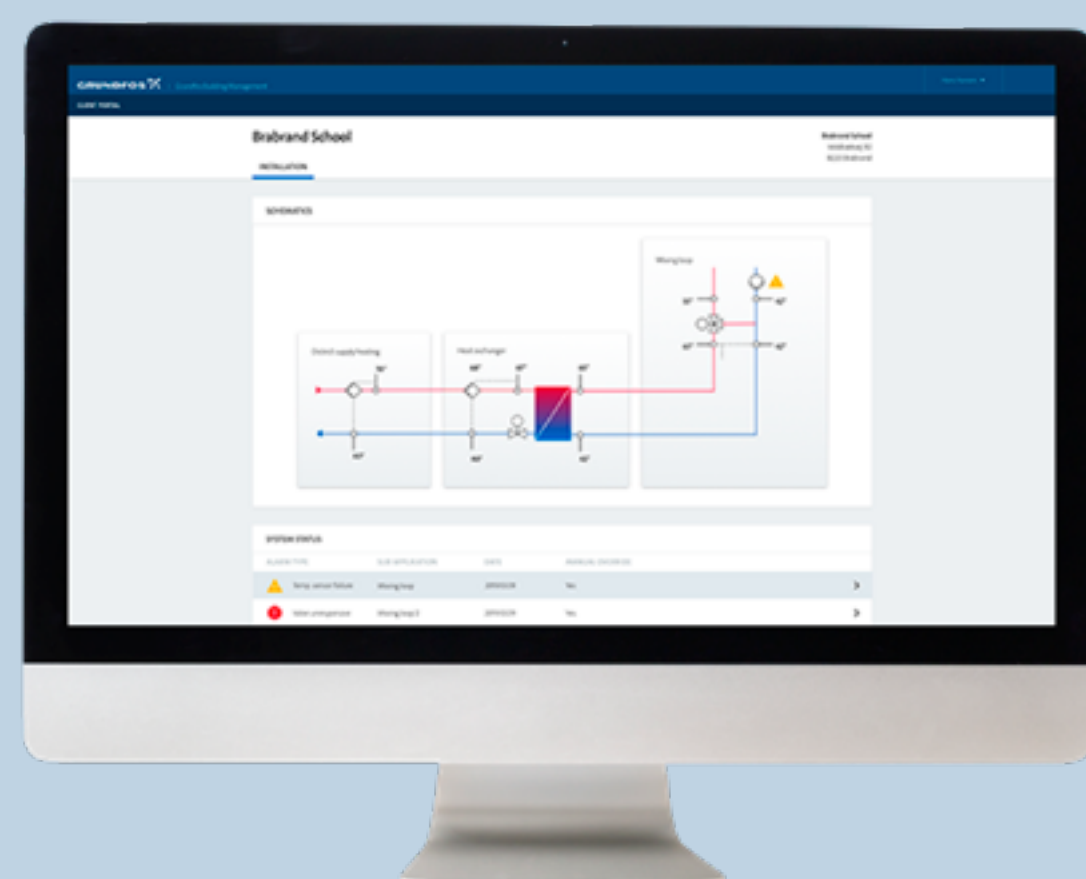


Three-way mixing loop



Monitoring Get full transparency

MIXIT's built-in energy monitoring feature gives you a complete overview of your energy use. You get real-time consumption data that can be accessed through the Grundfos GO Remote app or by connecting to Grundfos BuildingConnect or your BMS. That way, you can save up to 15% energy.



100+

Did you know?

... Connect MIXIT to BuildingConnect or BMS to get access to over 100 data points and monitor everything from temperature and flow to Delta-T.



1. Product Development Research, Grundfos
2. Article: Energy savings by energy management systems: A review
3. Article: Long Term Benefits Of Building Commissioning: Should Owners Pay the Price?

Want to start saving with MIXIT now?
Learn more at Grundfos.com

GRUNDFOS

Possibility in every drop